

Tampere University of Technology

Department of Computer Systems

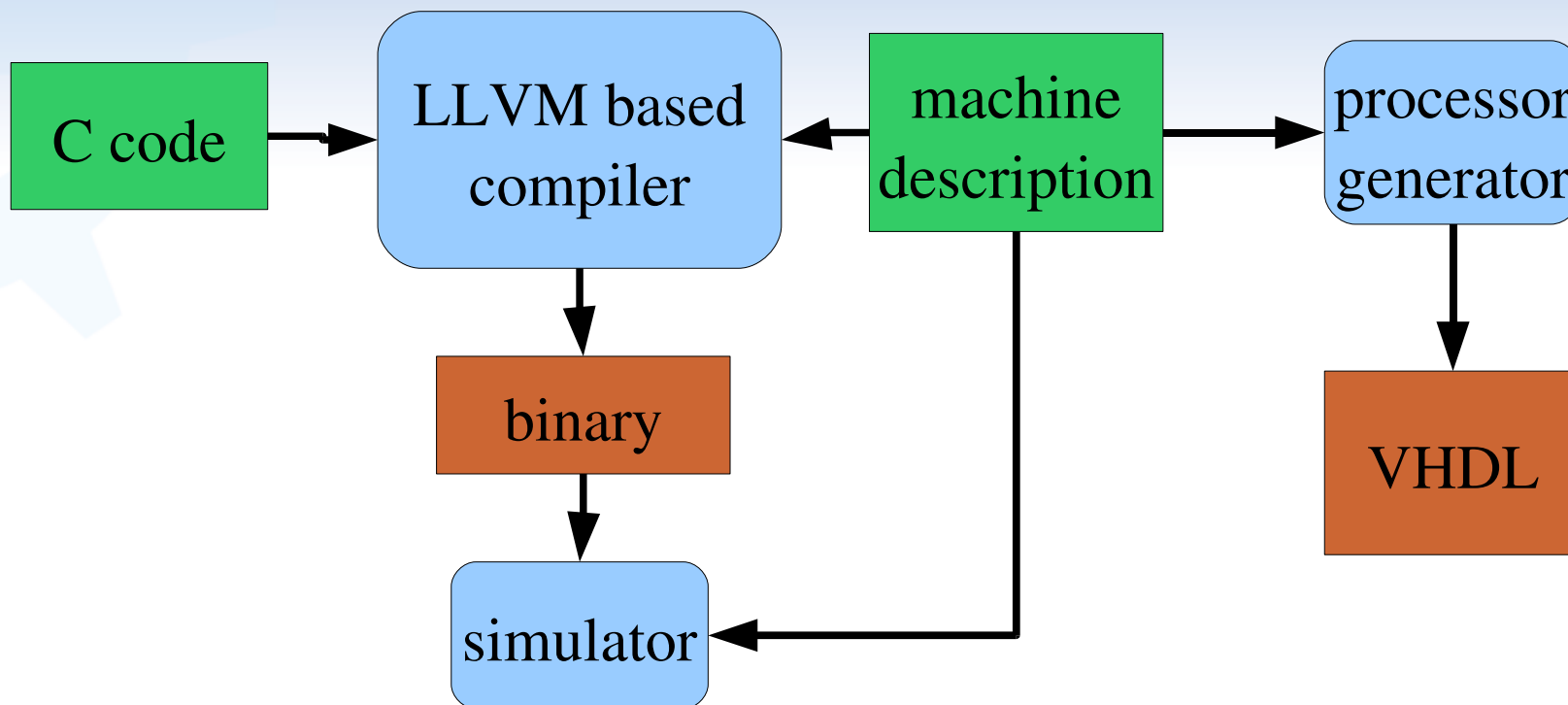
1

I am: Pertti Kellomäki, pertti.kellomaki@tut.fi

- Prof. Jarmo Takala's group:
 - ASIP, hardware / software codesign
 - Signal processing applications, mobile, low power
 - Instruction level parallelism
 - Hardware acceleration, application specific FUs, custom interconnections...

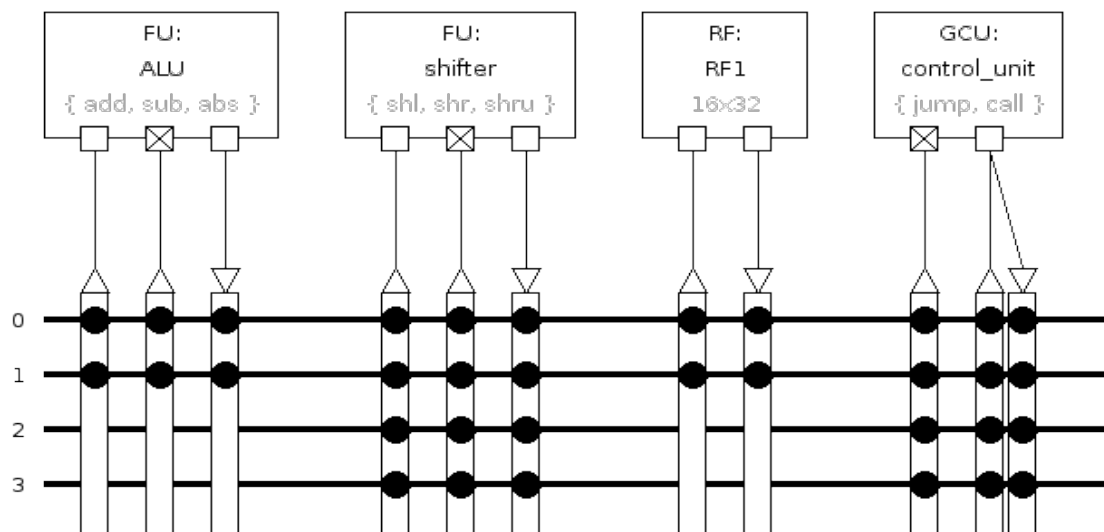


Design Flow



Variation Points

- Processors can be parametrised by varying
 - kinds and number of functional units
 - kinds and number of register files
 - size and number of buses
 - connectivity



Automated Design Space Exploration

